

**INTERACE CONTROL DOCUMENT**

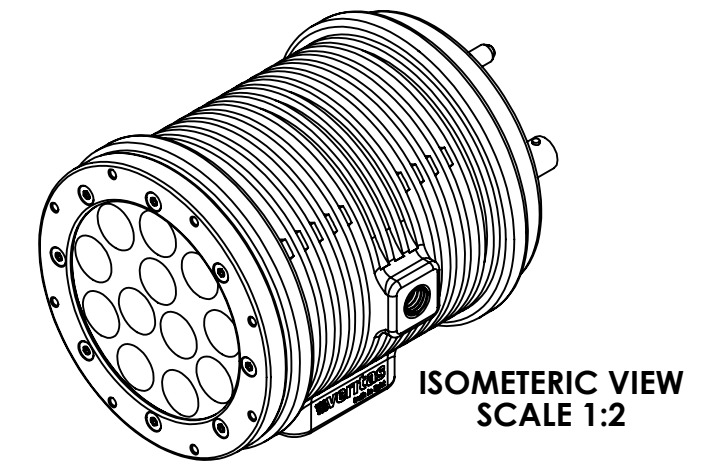
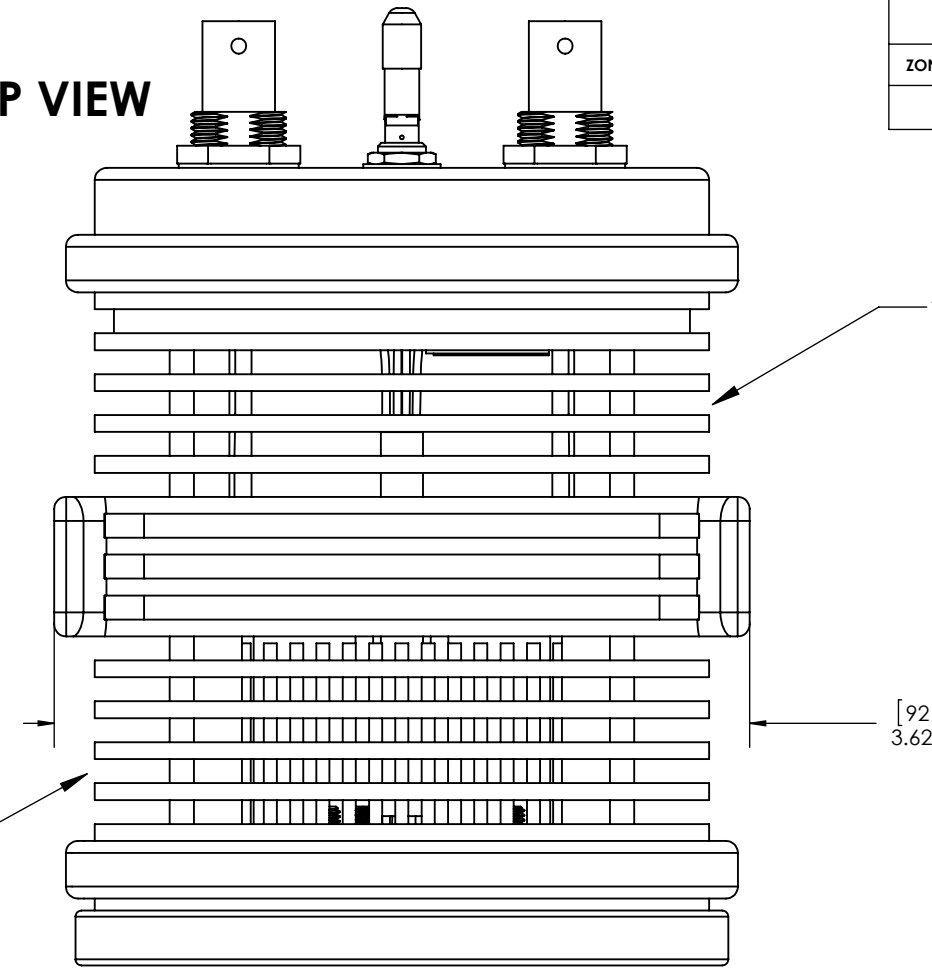
1. MASS PROPERTIES: MASS = X.XXX LBS; XX.XX OZ; XXX GRAMS  
CENTER OF MASS: (INCHES) X=X.X, Y=X.X, Z=X.X
2. CONNECTORS:  
J1: POWER 48VDC  
RECEPTACLE 4-PIN DIN  
CUI P/N: PD-40VS  
MATING PLUG: KYCON KPPX-4P OR SIMILAR  
J2 & J3: BNC 50 OHM  
J4: USB MINI-B FOR DMX ACCESSORIES
3. HOUSING BECOMES HOT UNDER OPERATION. TO HANDLE GRAB YELLOW GRIP RINGS.
4. TO PREVENT DAMAGE TO LIGHT AND SURFACE DUE TO EXCESSIVE HEAT BUILD UP, DO NOT OPERATE LIGHT FACE DOWN ON ANY SURFACE.

**CONSTELLATION™ 120E**  
120WATT INTELLIGENT LED LUMINAIRE  
With 15° and 28° FWHM BEAM ANGLE

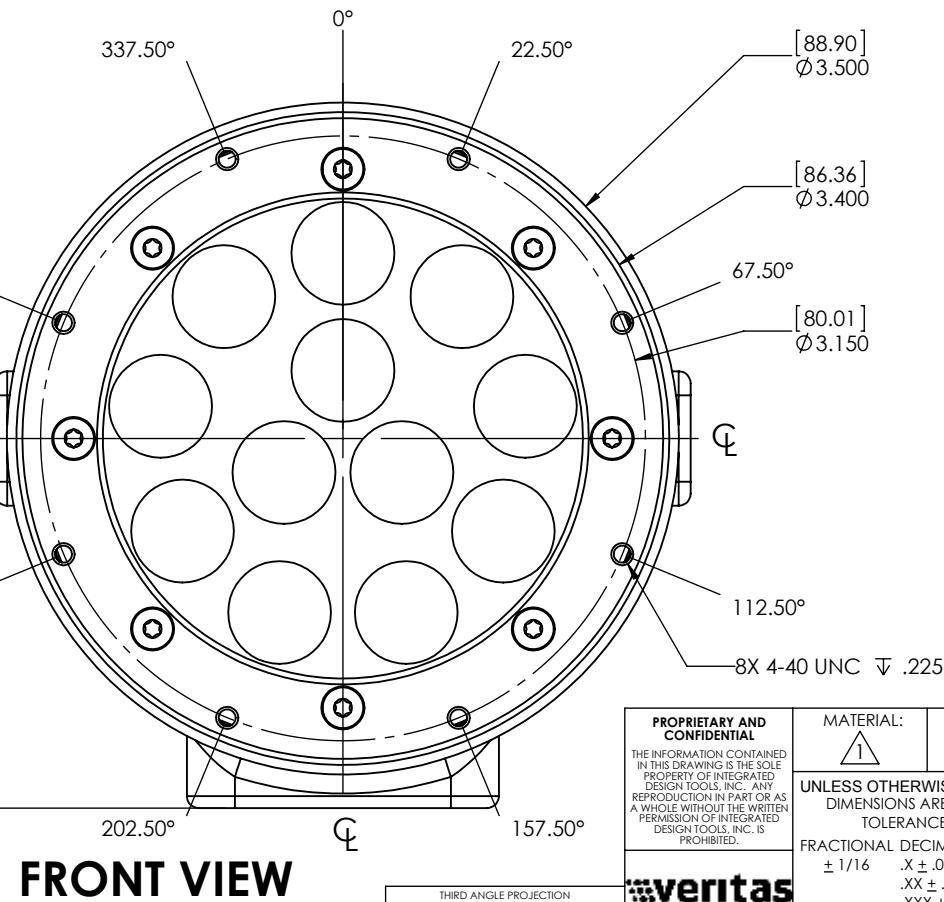
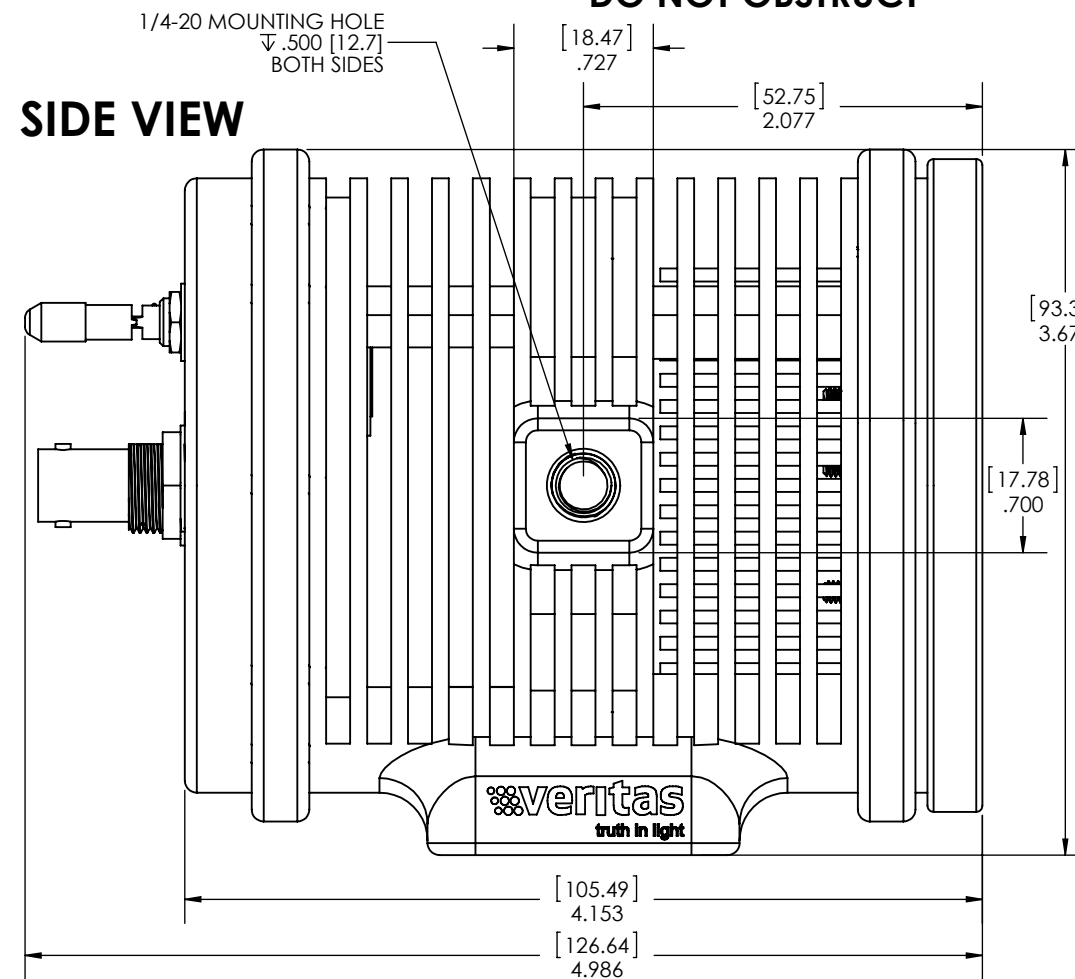
1417-0100-1 C-120E 15°  
1417-0100-2 C-120E 28°

REVISIONS					
ZONE	REV.	ECO #	DESCRIPTION	DATE	APPROVED
	A	ECO-15-006	INITIAL RELEASE.	03/11/2015	B. MOAK

**TOP VIEW**



**SIDE VIEW**

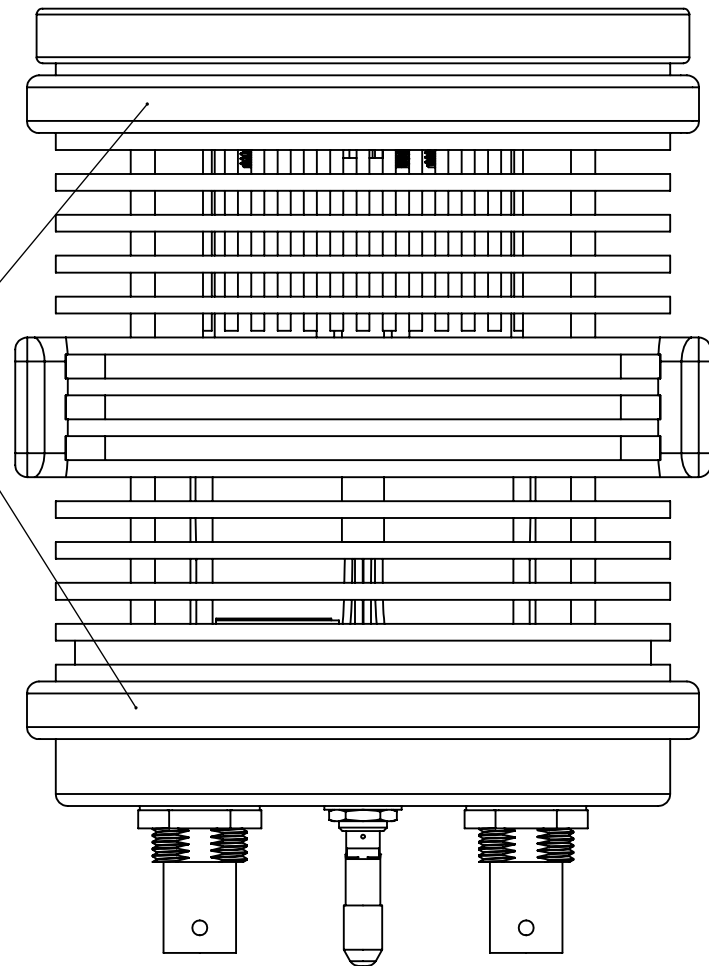


**FRONT VIEW**

<b>PROPRIETARY AND CONFIDENTIAL</b> <small>THE INFORMATION CONTAINED IN THIS DRAWING IS THE SOLE PROPERTY OF INTEGRATED DESIGN TOOLS, INC. ANY REPRODUCTION IN PART OR AS A WHOLE WITHOUT THE WRITTEN PERMISSION OF INTEGRATED DESIGN TOOLS, INC. IS PROHIBITED.</small>	MATERIAL: 1	FINISH: 2	PROJECT NAME: CONSTELLATION 120E	<b>INTEGRATED DESIGN TOOLS, INC</b> <small>1 WEST MOUNTAIN STREET SUITE 3 PASADENA, CA 91103</small>
	<small>UNLESS OTHERWISE SPECIFIED: DIMENSIONS ARE IN INCHES TOLERANCES ON: FRACTIONAL DECIMAL ANGULAR</small>		<small>DATE:</small> B. MOAK 03/11/2015 <small>CHECKED:</small> N. PINOS 03/11/2015 <small>MECH. ENGINEER:</small> B. MOAK 03/11/2015 <small>ELECTRICAL ENGINEER:</small> <small>OPERATION MANAGER:</small> <small>PROGRAM MANAGER:</small>	
<small>DO NOT SCALE DRAWING</small>				<small>REV</small> A

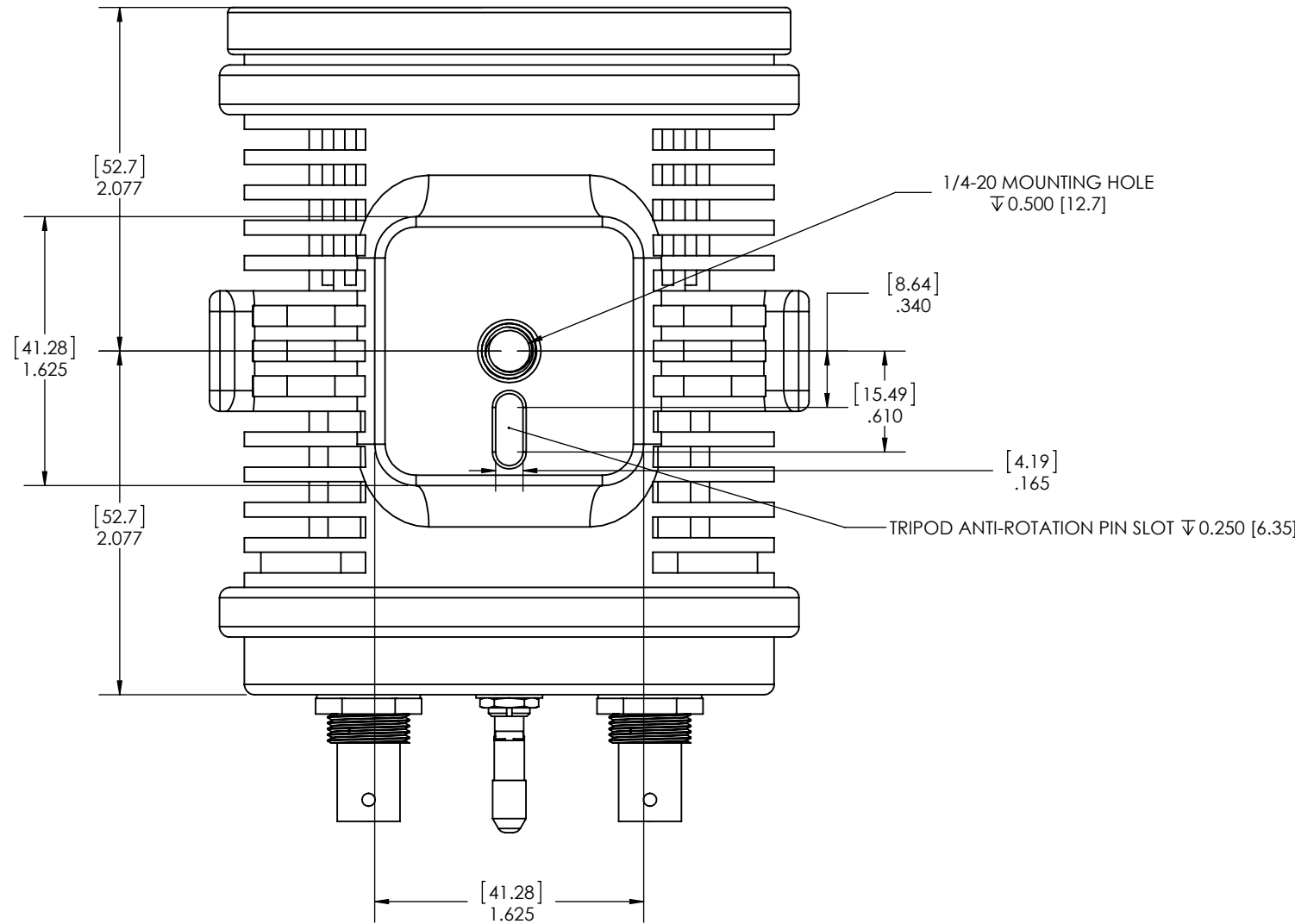
8 7 6 5 4 3 2 1

**TOP VIEW**



URETHANE RINGS FOR HANDLING LIGHT WHEN HOT

**BOTTOM VIEW**



1/4-20 MOUNTING HOLE  
▽0.500 [12.7]

[8.64]  
.340

[15.49]  
.610

[4.19]  
.165

TRIPOD ANTI-ROTATION PIN SLOT ▽0.250 [6.35]

[52.7]  
2.077

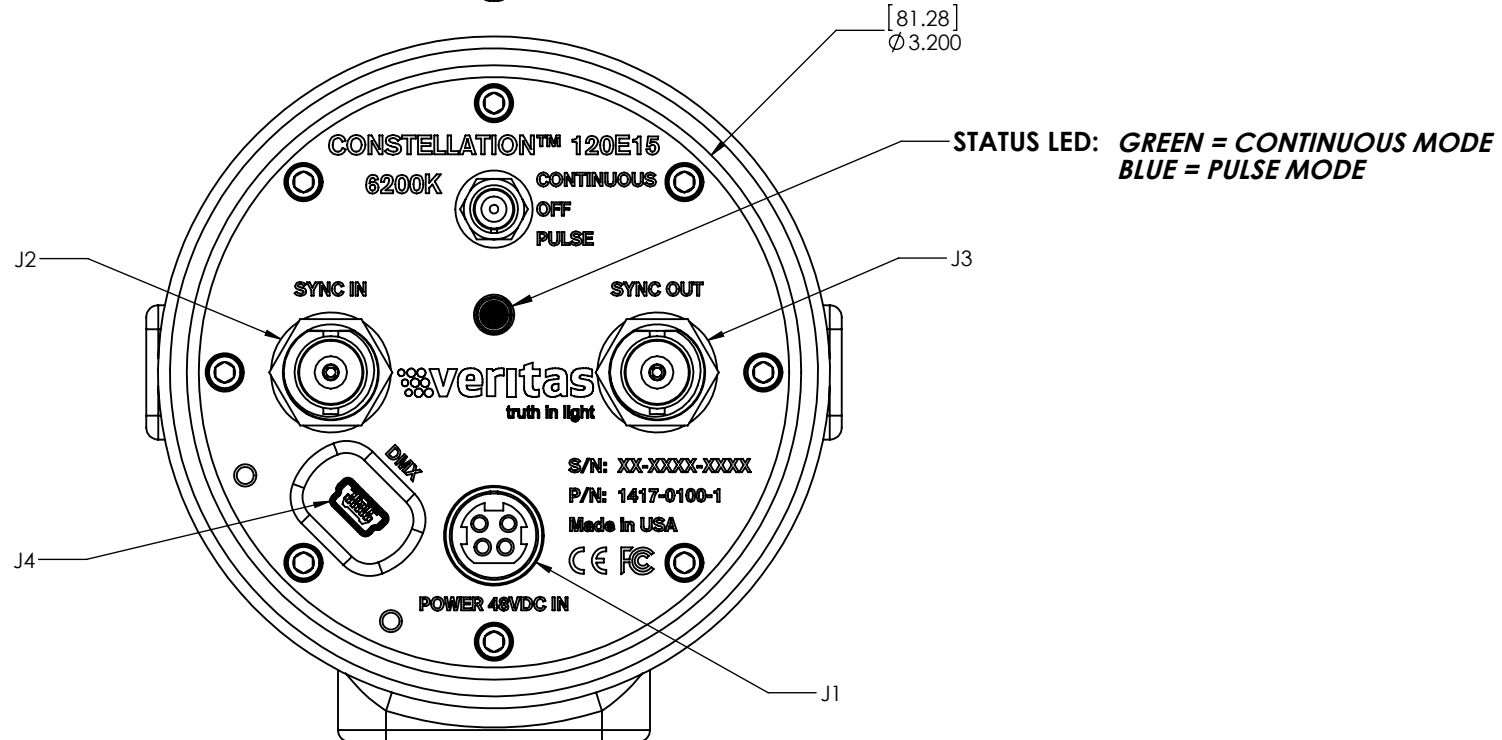
[41.28]  
1.625

[52.7]  
2.077

[41.28]  
1.625

A  
B  
C  
D  
E

A  
B  
C  
D  
E



[81.28]  
Ø3.200

STATUS LED: **GREEN = CONTINUOUS MODE**  
**BLUE = PULSE MODE**

J2

J3

J4

J1

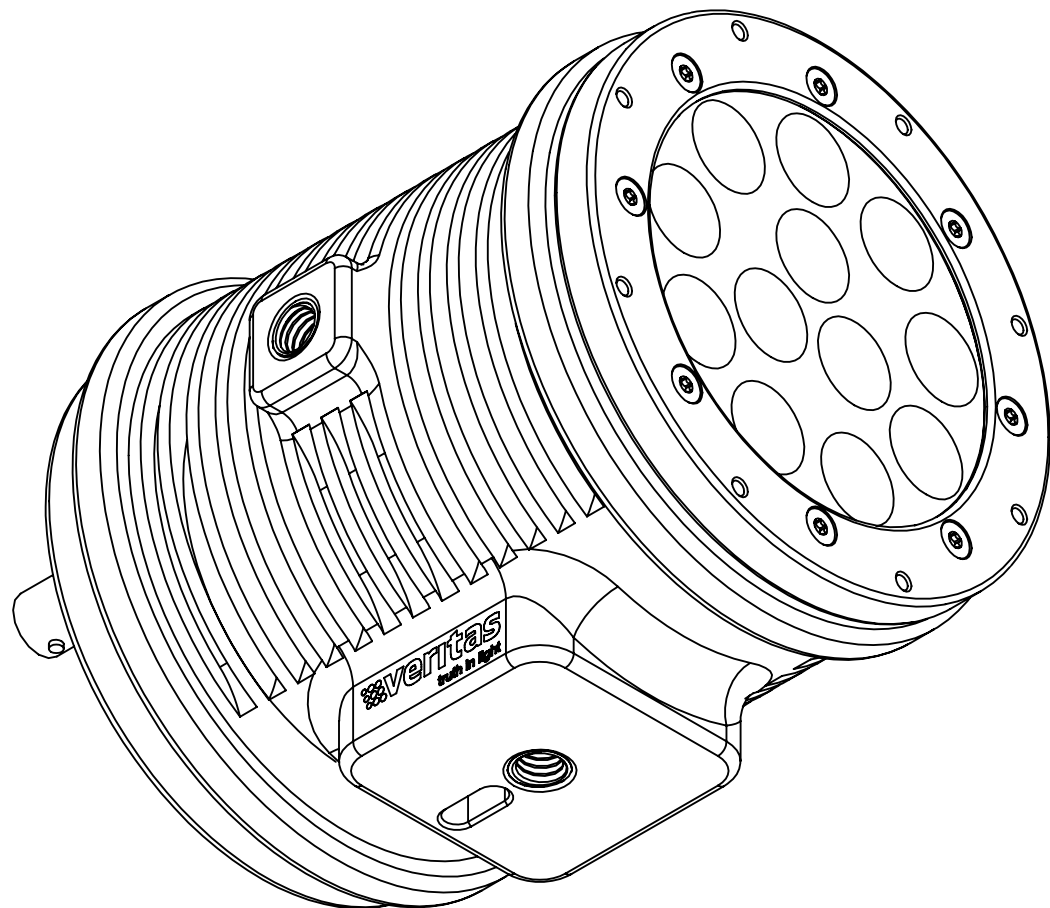
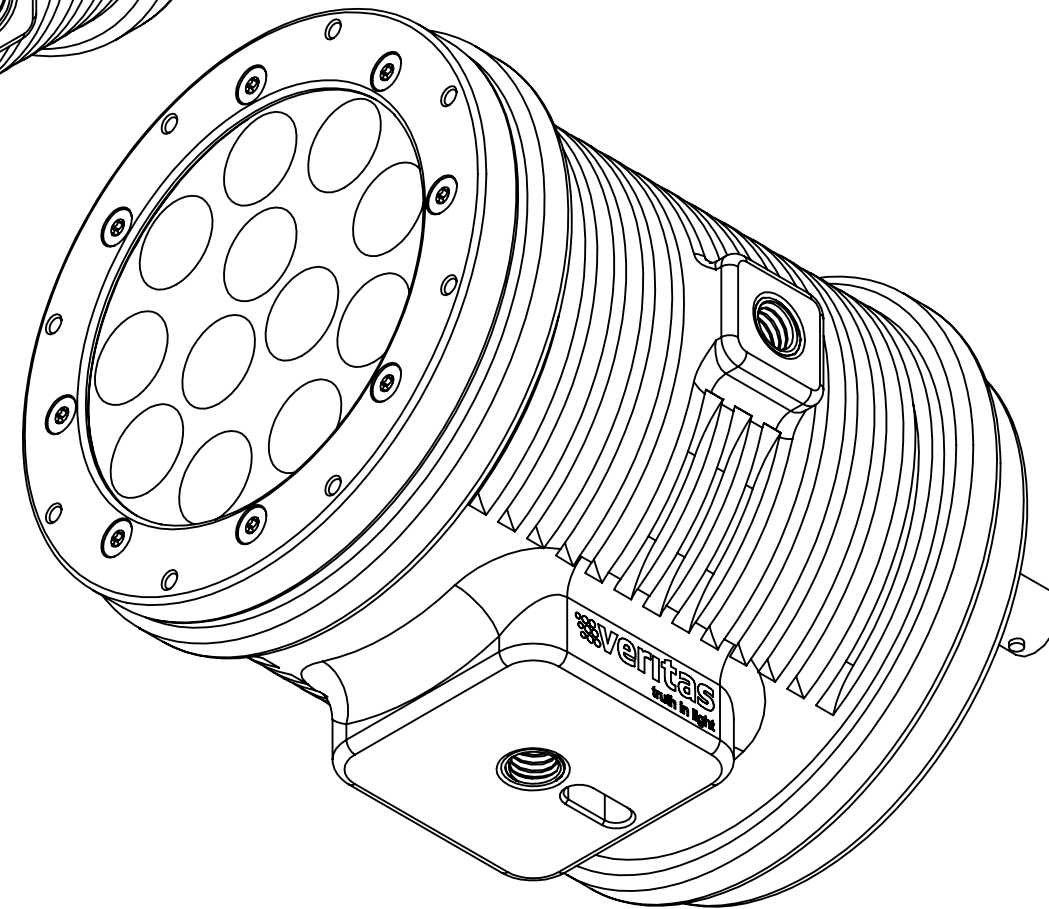
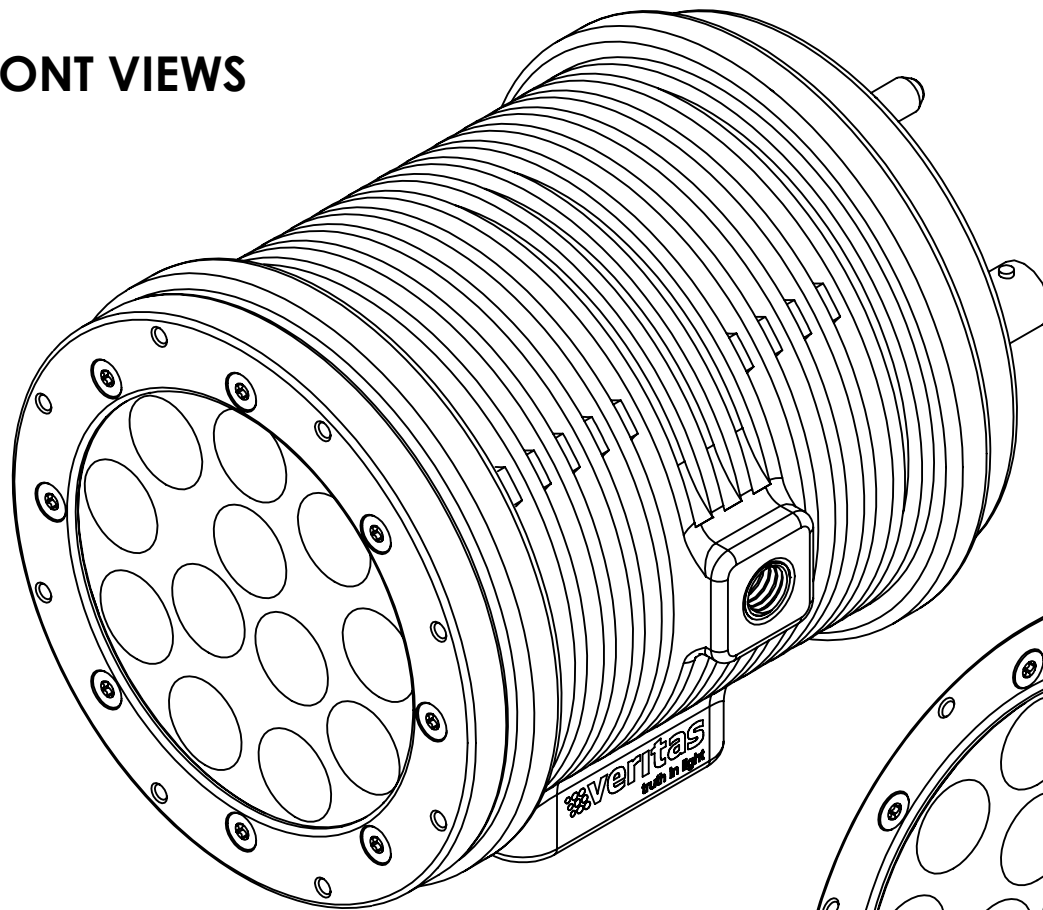
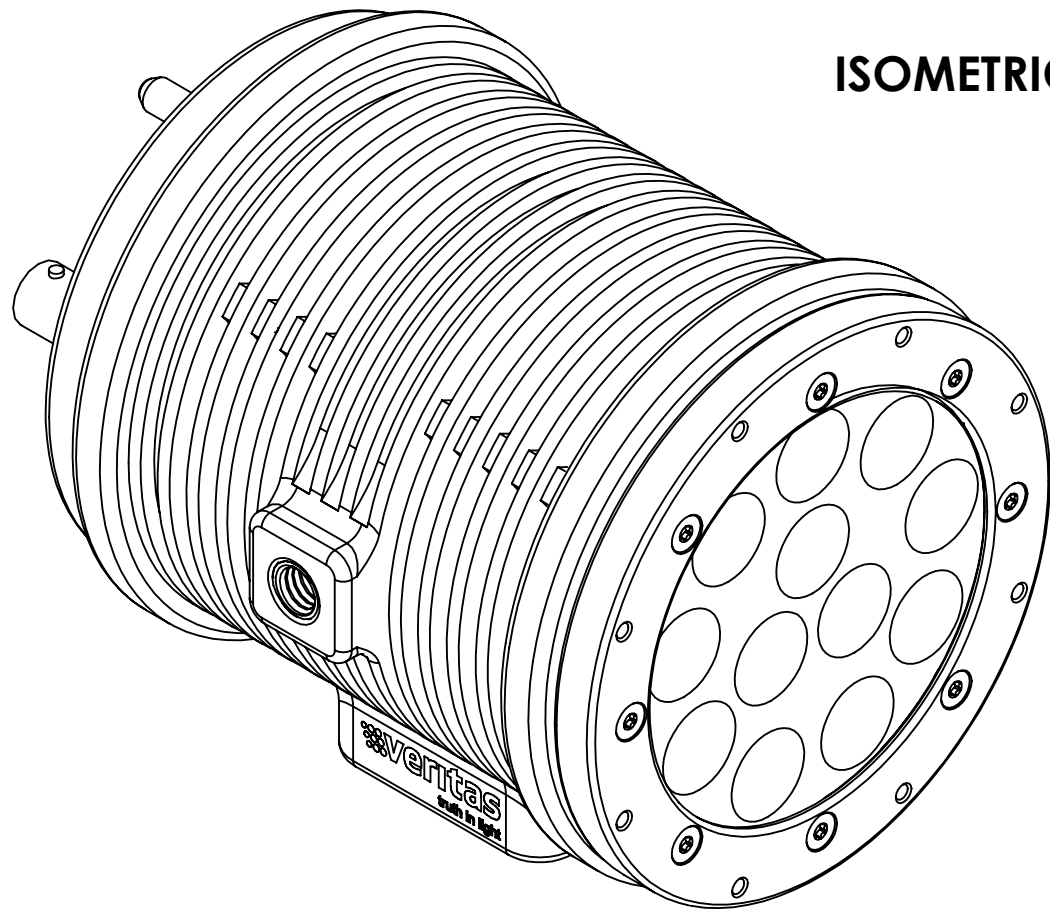
**REAR VIEW**

<small>PROPRIETARY AND CONFIDENTIAL</small> <small>THE INFORMATION CONTAINED IN THIS DRAWING IS THE SOLE PROPERTY OF INTEGRATED DESIGN TOOLS, INC. ANY REPRODUCTION IN PART OR AS A WHOLE WITHOUT THE WRITTEN PERMISSION OF INTEGRATED DESIGN TOOLS, INC. IS PROHIBITED.</small>	PROJECT NAME: <b>CONSTELLATION 120E</b>	<b>INTEGRATED DESIGN TOOLS, INC</b> <small>1 WEST MOUNTAIN STREET SUITE 3 PASADENA, CA 91103</small>
	<small>UNLESS OTHERWISE SPECIFIED: DIMENSIONS ARE IN INCHES TOLERANCES ON:</small> FRACTIONAL DECIMAL ANGULAR ± 1/16 X ± .03 ± 1° .XX ± .01 .XXX ± .005	TITLE: <b>INTERFACE CONTROL DOCUMENT (ICD), CONSTELLATION-120E</b>
		SCALE: 1:1 DATE: 2/29/2016
<b>DO NOT SCALE DRAWING</b>	SIZE: <b>B</b> DWG. NO.: <b>1417-0100</b>	REV <b>A</b> SHEET 2 OF 4

8 7 6 5 4 3 2 1

8 7 6 5 4 3 2 1

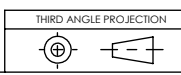
# ISOMETRIC FRONT VIEWS



A  
B  
C  
D  
E

A  
B  
C  
D  
E

8 7 6 5 4 3 2 1



**PROPRIETARY AND CONFIDENTIAL**  
THE INFORMATION CONTAINED IN THIS DRAWING IS THE SOLE PROPERTY OF INTEGRATED DESIGN TOOLS, INC. ANY REPRODUCTION IN PART OR AS A WHOLE WITHOUT THE WRITTEN PERMISSION OF INTEGRATED DESIGN TOOLS, INC. IS PROHIBITED.



PROJECT NAME:  
**CONSTELLATION 120E**

UNLESS OTHERWISE SPECIFIED:  
DIMENSIONS ARE IN INCHES  
TOLERANCES ON:  
FRACTIONAL DECIMAL ANGULAR  
± 1/16 X ± .03 ± 1°  
.XX ± .01  
.XXX ± .005

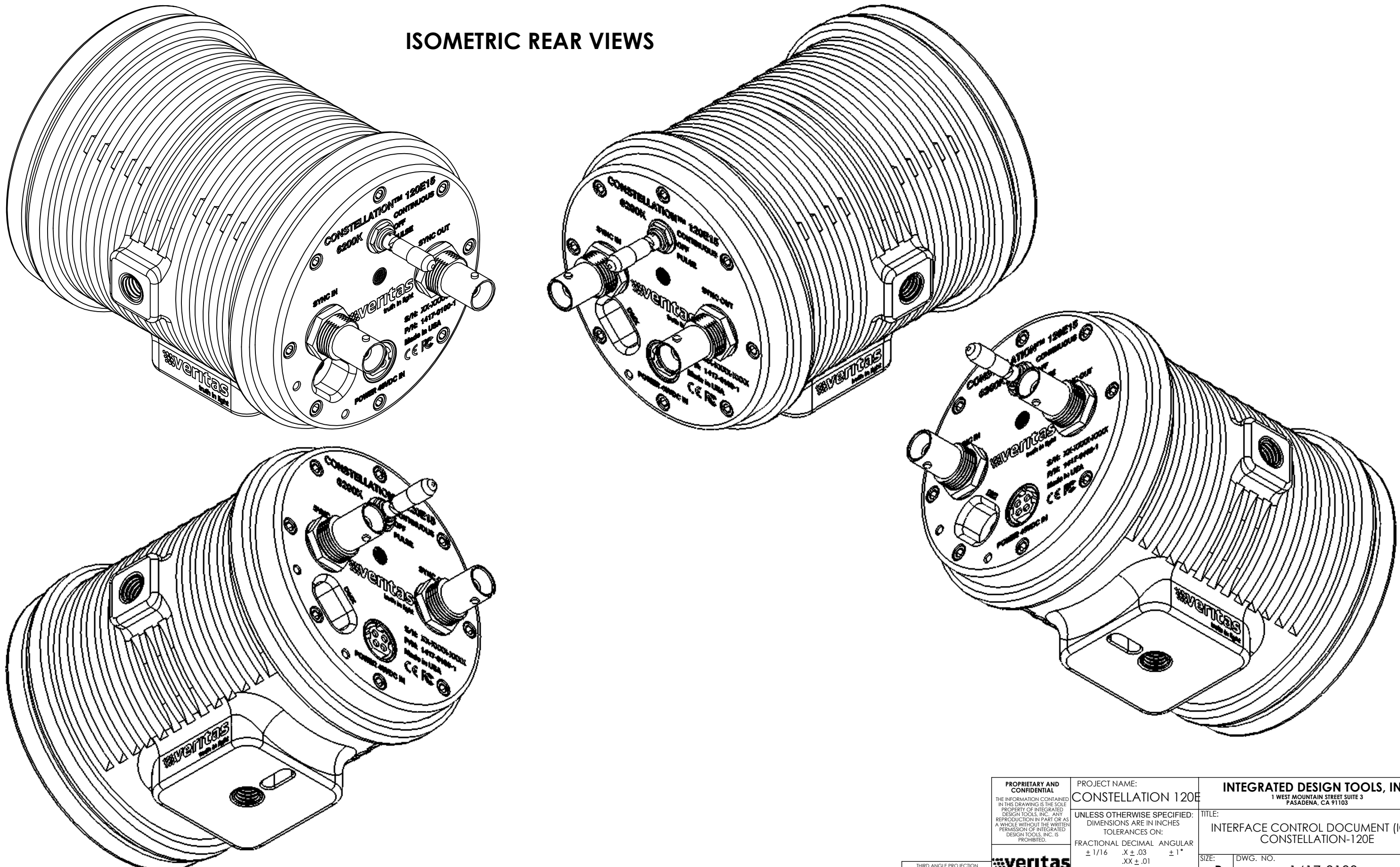
**INTEGRATED DESIGN TOOLS, INC**  
1 WEST MOUNTAIN STREET SUITE 3  
PASADENA, CA 91103

TITLE:  
**INTERFACE CONTROL DOCUMENT (ICD), CONSTELLATION-120E**

SIZE: <b>B</b>	DWG. NO. <b>1417-0100</b>	REV <b>A</b>
SCALE: 1:1	DATE: 2/29/2016	SHEET 3 OF 4

**DO NOT SCALE DRAWING**

### ISOMETRIC REAR VIEWS



<p><b>PROPRIETARY AND CONFIDENTIAL</b></p> <p>THE INFORMATION CONTAINED IN THIS DRAWING IS THE SOLE PROPERTY OF INTEGRATED DESIGN TOOLS, INC. ANY REPRODUCTION IN PART OR AS A WHOLE WITHOUT THE WRITTEN PERMISSION OF INTEGRATED DESIGN TOOLS, INC. IS PROHIBITED.</p>	<p>PROJECT NAME: <b>CONSTELLATION 120E</b></p>	<p><b>INTEGRATED DESIGN TOOLS, INC</b> 1 WEST MOUNTAIN STREET SUITE 3 PASADENA, CA 91103</p>	
	<p>UNLESS OTHERWISE SPECIFIED: DIMENSIONS ARE IN INCHES TOLERANCES ON:</p> <p>FRACTIONAL DECIMAL ANGULAR ± 1/16 .X ± .03 ± 1° .XX ± .01 .XXX ± .005</p>	<p>TITLE: <b>INTERFACE CONTROL DOCUMENT (ICD), CONSTELLATION-120E</b></p>	
<p><b>veritas</b> truth in light</p>	<p>SIZE: <b>B</b></p>	<p>DWG. NO. <b>1417-0100</b></p>	<p>REV <b>A</b></p>
<p><b>DO NOT SCALE DRAWING</b></p>	<p>SCALE: 1:1</p>	<p>DATE: 2/29/2016</p>	<p>SHEET 4 OF 4</p>

