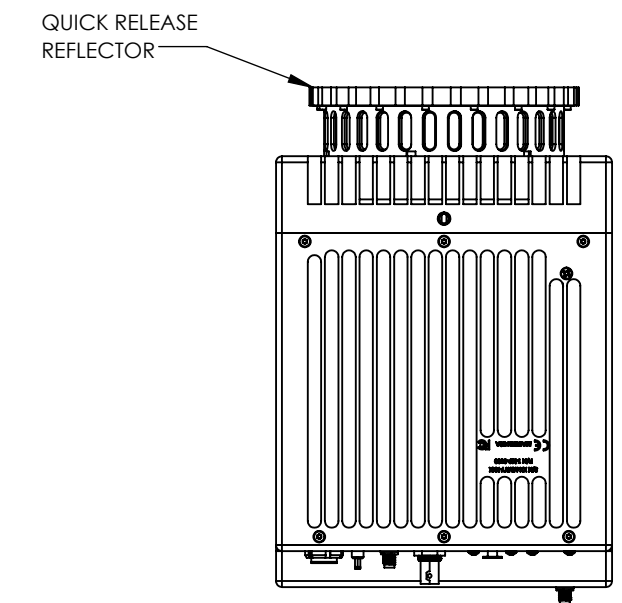
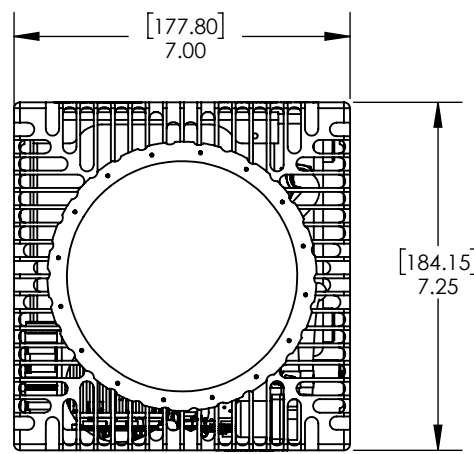
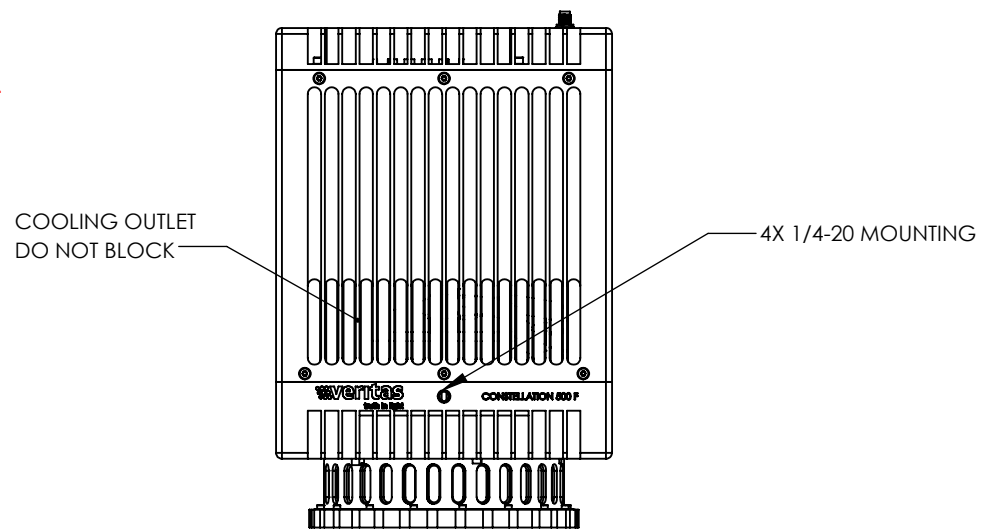
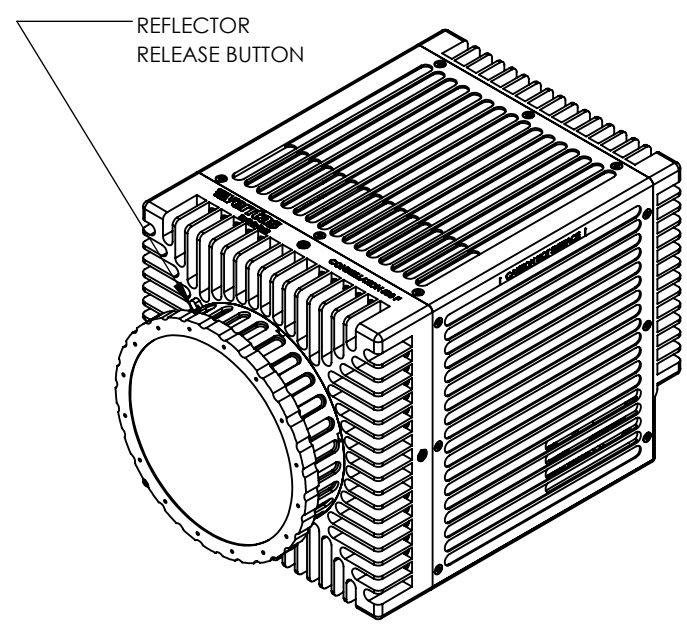
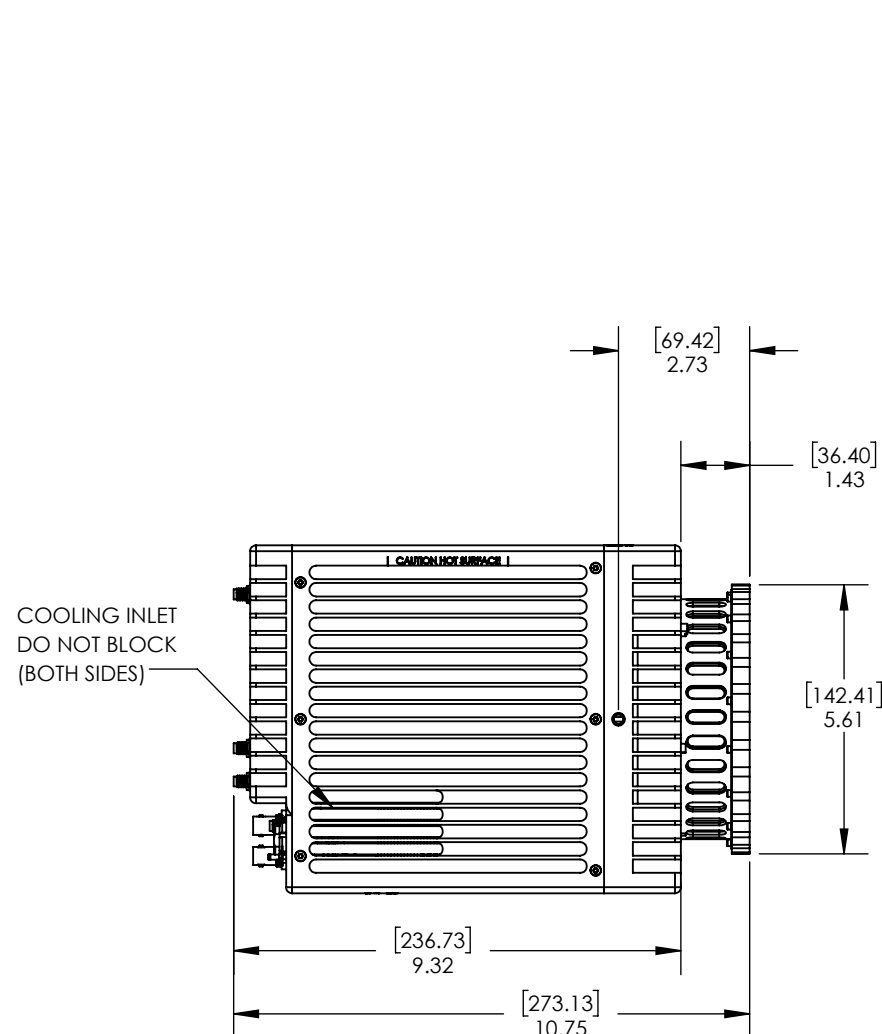


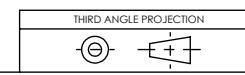
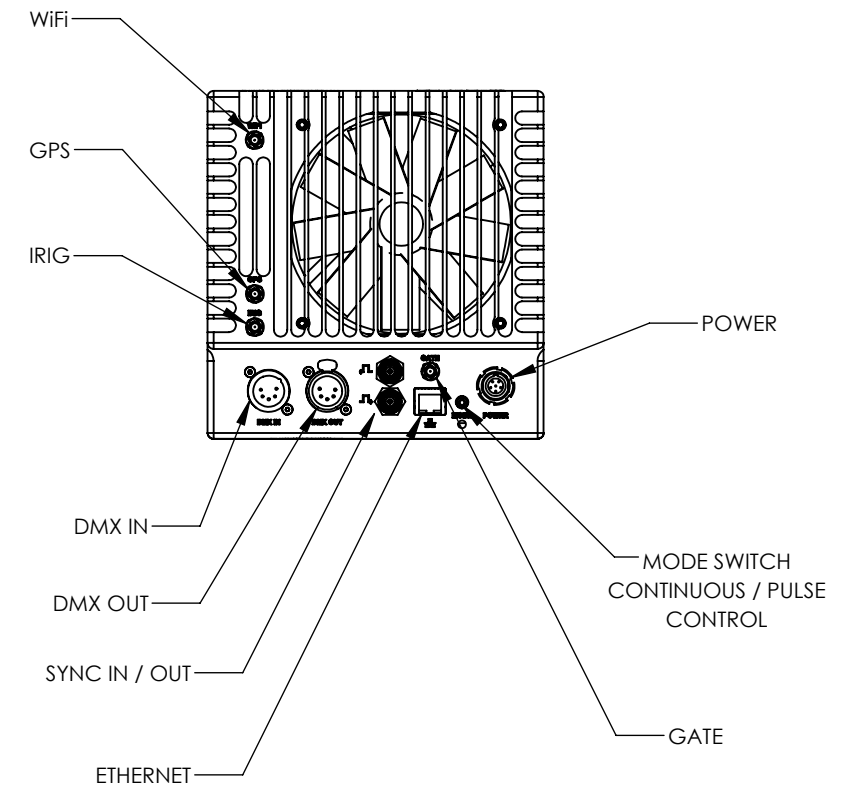
NOTES: UNLESS OTHERWISE SPECIFIED

!! CAUTION !! PRODUCT SURFACES WILL GET HOT AFTER CONTINUOUS OPERATION. DO NOT HANDLE IMMEDIATELY AFTER SHUT DOWN. ALLOW THE LIGHT HEAD TO COOL.

REVISIONS					
ZONE	REV.	ECO #	DESCRIPTION	DATE	APPROVED
	A	-	INITIAL RELEASE	6/12/2018	D. ATOL
	B	ECO-0258	REV CHANGE	6/14/2018	D. ATOL



SHOWN WITH 24 DEGREE REFLECTOR ASSEMBLY



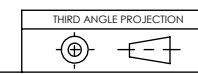
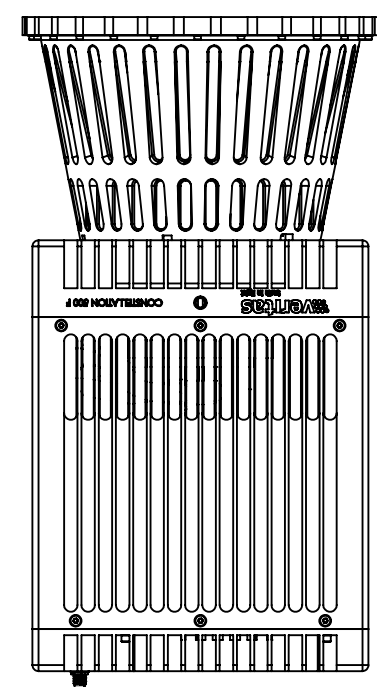
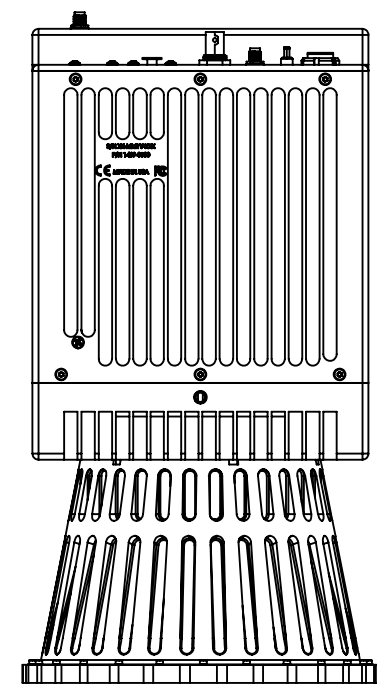
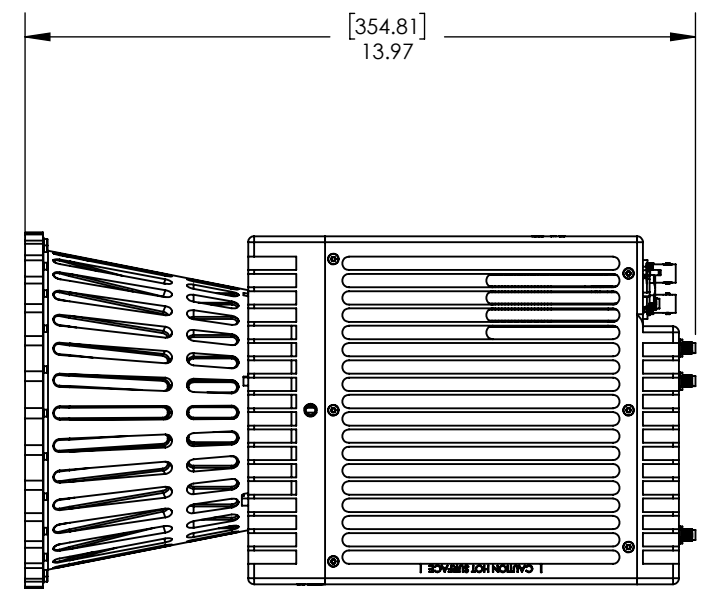
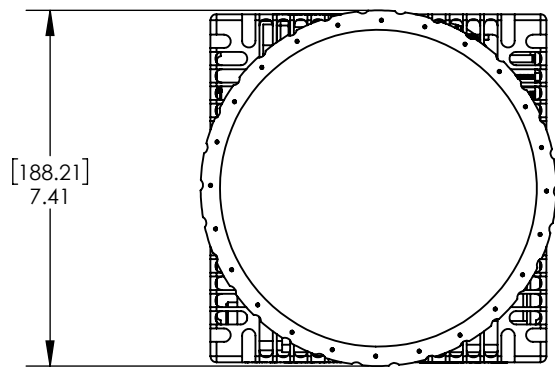
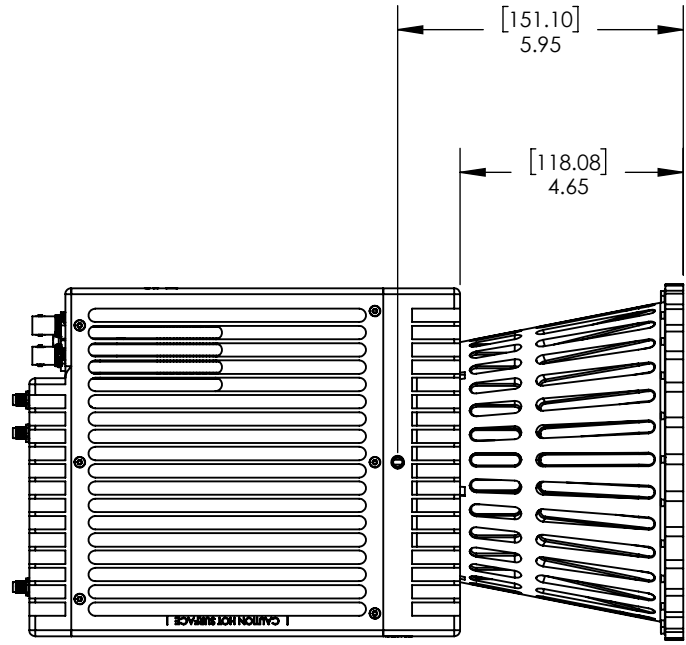
PROPRIETARY AND CONFIDENTIAL <small>THE INFORMATION CONTAINED IN THIS DRAWING IS THE SOLE PROPERTY OF INTEGRATED DESIGN TOOLS, INC. ANY REPRODUCTION IN PART OR AS A WHOLE WITHOUT THE WRITTEN PERMISSION OF INTEGRATED DESIGN TOOLS, INC. IS PROHIBITED.</small>	MATERIAL:	FINISH:	PROJECT NAME: C500-F	INTEGRATED DESIGN TOOLS, INC <small>1 WEST MOUNTAIN STREET SUITE 3 PASADENA, CA 91103</small>
	<small>UNLESS OTHERWISE SPECIFIED: DIMENSIONS ARE IN INCHES TOLERANCES ON:</small> FRACTIONAL DECIMAL ANGULAR $\pm 1/16$.X $\pm .03$ $\pm 1^\circ$.XX $\pm .01$.XXX $\pm .005$			
	<small>DO NOT SCALE DRAWING</small>			<small>TITLE:</small> C500-F INTERFACE CONTROL DOCUMENT <small>SIZE:</small> B <small>DWG. NO.:</small> 1469-0100 ICD <small>SCALE:</small> 1:4 <small>DATE:</small> 6/14/2018 <small>SHEET 1 OF 2</small>
				<small>REV</small> B

8 7 6 5 4 3 2 1

NOTES: UNLESS OTHERWISE SPECIFIED

!! CAUTION !! PRODUCT SURFACES WILL GET HOT AFTER CONTINUOUS OPERATION.
DO NOT HANDLE IMMEDIATELY AFTER SHUT DOWN. ALLOW THE LIGHT HEAD TO COOL.

SHOWN WITH 18 DEGREE REFLECTOR ASSEMBLY



PROPRIETARY AND CONFIDENTIAL <small>THE INFORMATION CONTAINED IN THIS DRAWING IS THE SOLE PROPERTY OF INTEGRATED DESIGN TOOLS, INC. ANY REPRODUCTION IN PART OR AS A WHOLE WITHOUT THE WRITTEN PERMISSION OF INTEGRATED DESIGN TOOLS, INC. IS PROHIBITED.</small>	PROJECT NAME: C500-F	INTEGRATED DESIGN TOOLS, INC <small>1 WEST MOUNTAIN STREET SUITE 3 PASADENA, CA 91103</small>	
	UNLESS OTHERWISE SPECIFIED: DIMENSIONS ARE IN INCHES TOLERANCES ON: FRACTIONAL DECIMAL ANGULAR $\pm 1/16$ $X \pm .03$ $\pm 1^\circ$ $.XX \pm .01$ $.XXX \pm .005$	TITLE: C500-F INTERFACE CONTROL DOCUMENT	
DO NOT SCALE DRAWING	SCALE: 1:4	DWG. NO. 1469-0100 ICD	DATE: 6/14/2018 SHEET 2 OF 2

8 7 6 5 4 3 2 1